

# FRUIT KING 3S PLUS

## DIP SWITCH

Program:0327W-CL

Function		1	2	3	4	5	6	7	8
MAIN JACKPOT	500								ON
	200								OFF
5 LIGHT JACKPOT	220							ON	
	160							OFF	
BET DIFFICULTY	85%						ON		
	90%						OFF		
					OFF	OFF			
Demo music	NO			ON					
	YES			OFF					
Coin in	1:10	ON	ON						
	1:5	OFF	ON						
	1:2	ON	OFF						
	1:1	OFF	OFF						

Note: after adjusting dip switch, it must clear machine !

**1-Account Details:** press **【 K1 】** to open machine → start button, and the number of pages will be displayed in the **【 8 】**

0	Total Profit	1	Total Put Amount	2	Total Score Amount
3	Total Bet Amount In	4	Total Bet Amount Out	5	Running Difficulty
6	Bet Difficulty	7	Main Jackpot times	8	5Light Jackpot times
9	Total all win times	10	Total free game times		

$$\text{Total Profit (0)} = (1 + 3) - (2 + 4)$$

## 2-Error Code:

<b>77</b>	<b>The Profit (50000 crash), Please Clear Machine</b>
<b>76</b>	<b>Error ----Check Key out Wire Whether Loose Or Open Circuit</b>
<b>22</b>	<b>Keyboard Error-----Check For Whether Loose Or Open Circuit</b>
<b>33</b>	<b>Coin selector Error ----- Switch To 【 NC 】</b>
<b>30</b>	<b>Bill acceptor Error-----Switch To 【 NO 】</b>
<b>40</b>	<b>Hopper Error ----- Replace The Sensor</b>
<b>55</b>	<b>Counter ( Meter ) Error----- Replace The Counter</b>
<b>99</b>	<b>Clear Machine Is Success</b>

## 3-Setting Coin Count:

Press **[K3]** → Turn the machine on → Set Coin QTY. → Press **【Payout button】** **【】** + Coin **【】** - Coin

## 4-- Test Function :

Press **[K2]** → Turn the machine on → All LED And digital 8 Test

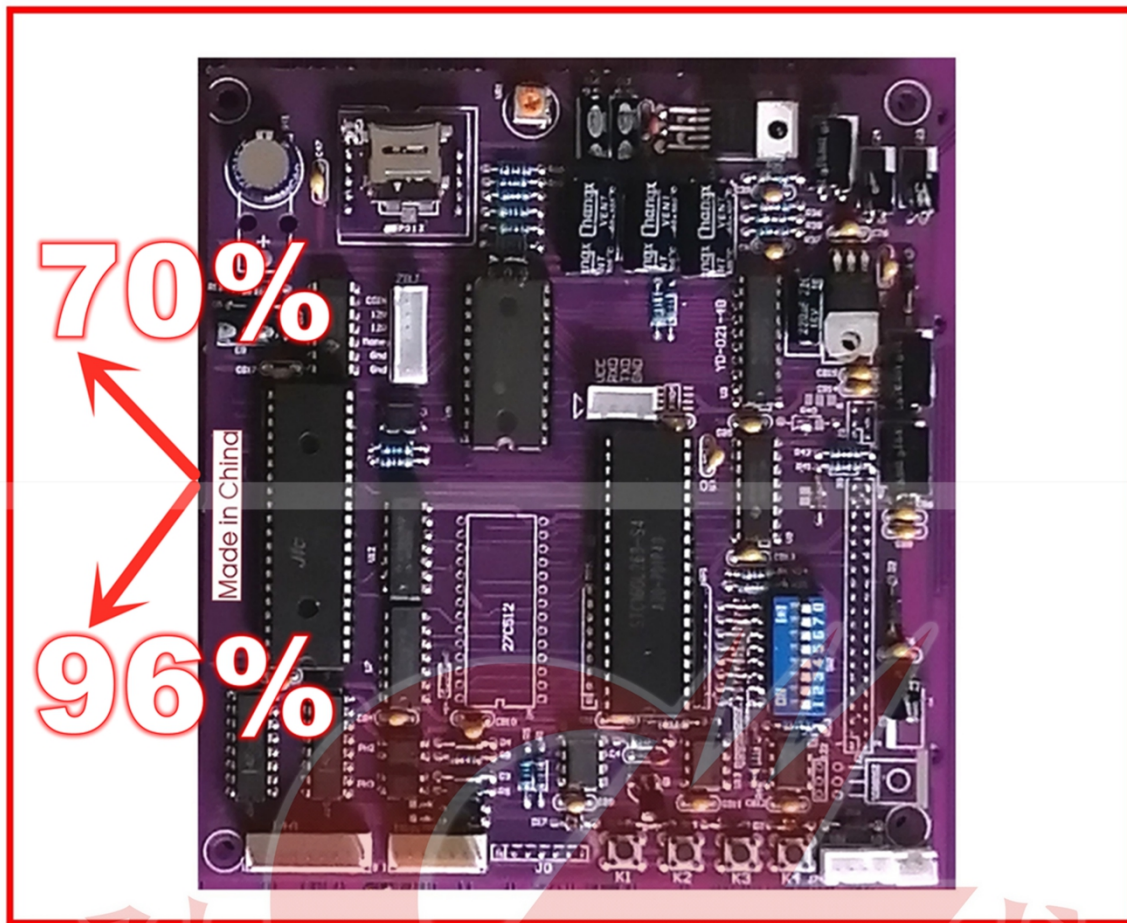
## 5-- <Clear Machine>

Press **[K4]** → Turn the machine on → Show 99 And 24 Lights Go Out

## 6--<Clear All Information>

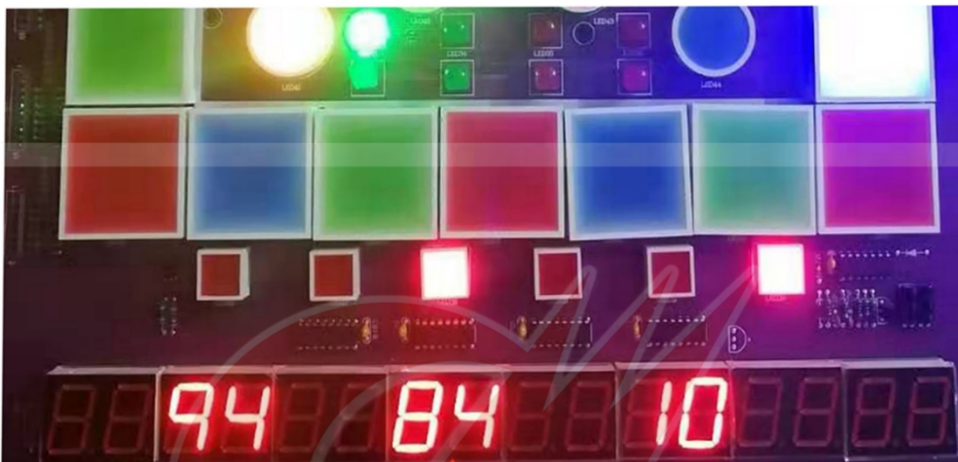
Press **[K2]** → Turn the machine on → Show 99 And 24 Lights Go Out

# fruit king 3 Upgrade board features




## Fruit king 3 Machine Difficulty Instruction

The machine's most difficult percentage (%) adjustment method

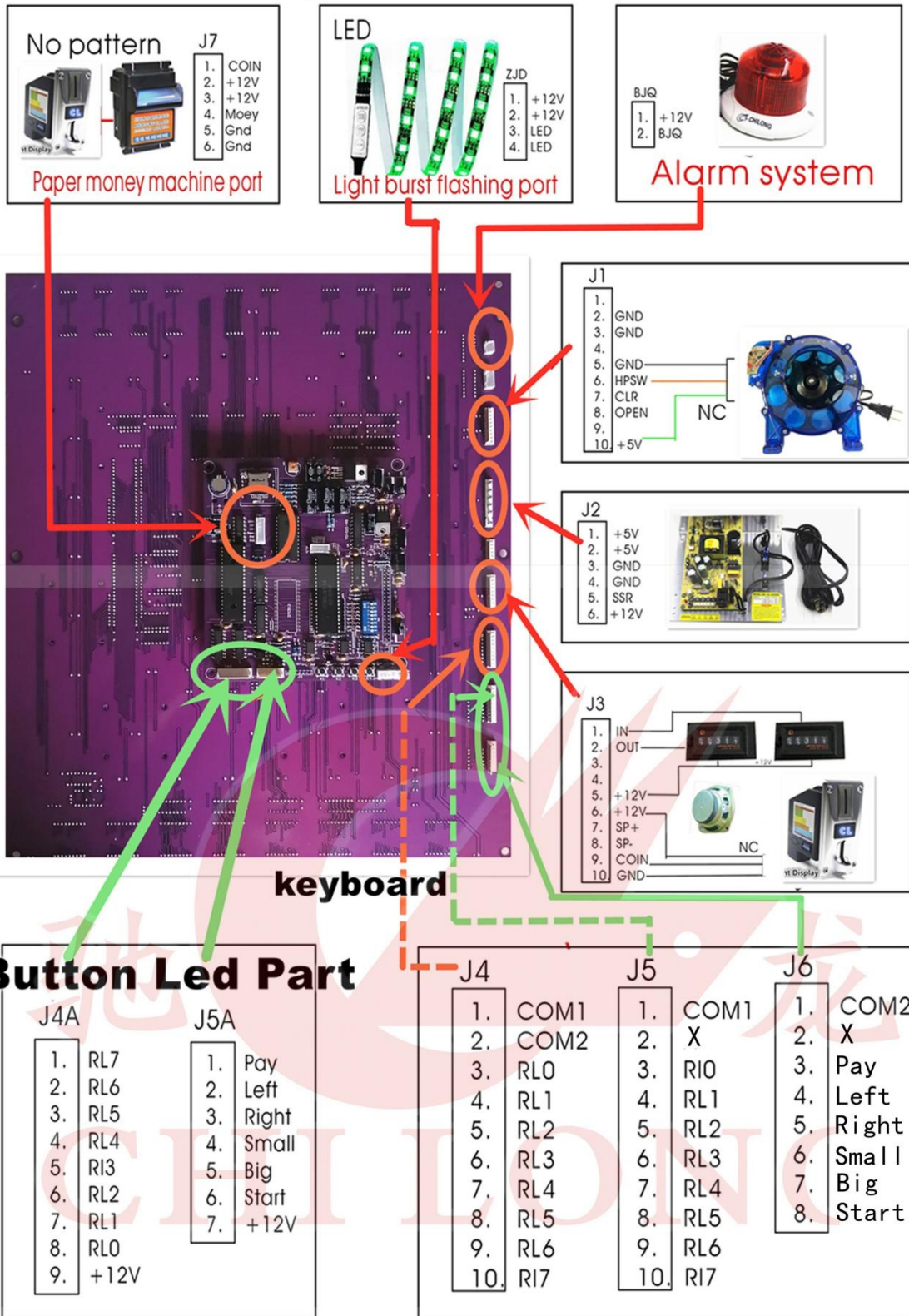


The most difficult time  
is 70-96% choice

1. Press K1 + K2 to enter the page
2. Press the keyboard key  to adjust
3. Press start to confirm

# Fruit king 3 Connector Instruction

## Wiring instructions



# Fruit king 3 Kits Picture

**BOARD + WIRE +ARYLIC+ LED LIGHT**

